



MONARCH
METAL INC.
EUROPE

**NEW
LOCATION**

Almelo,
Netherlands

ENGINEERED
HANGING SYSTEMS
& ARCHITECTURAL
METALS

CONTACT US:

www.monarchmetal.eu

europe@monarchmetal.eu

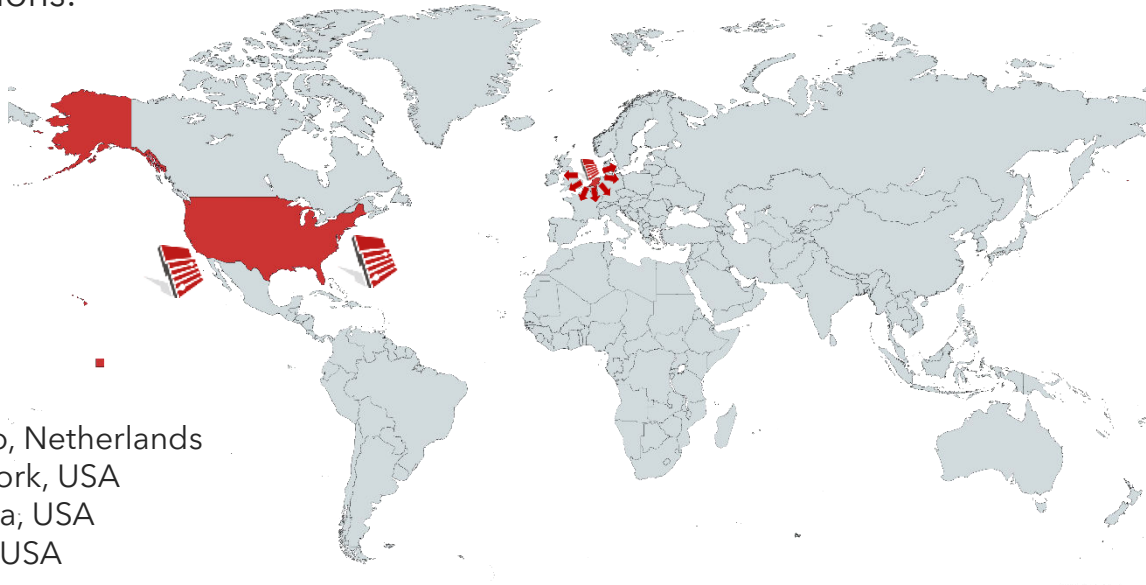
+31 (0) 548 659 049



MONARCH
METAL INC.
EUROPE

PRECISION IN EVERYTHING WE DO

- Monarch is the leading international manufacturer and supplier of Monarch Z Clips and fine custom architectural metal products.
- Over thirty years of experience goes into every product that we manufacture, including custom bracketry, aluminium angle, extruded shapes, furniture assembly kits, and metal inlays in any metal or finish.
- We can provide with architectural custom metal concepts for many applications.
- Locations:



- Almelo, Netherlands
- New York, USA
- Nevada, USA
- Texas, USA

Contact us:

europe@monarchmetal.eu

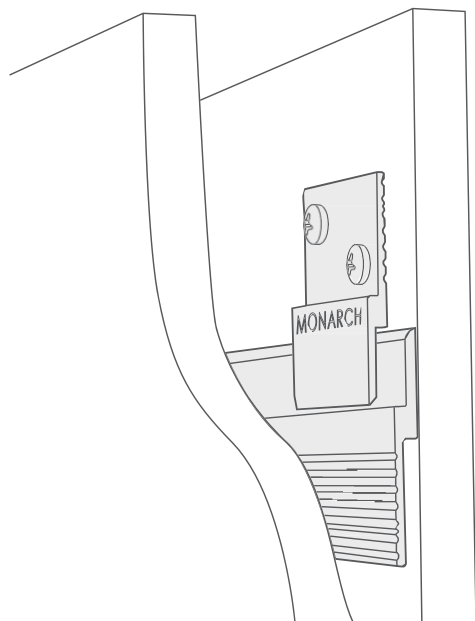
+31 (0) 548 659 049

<https://www.monarchmetal.eu>



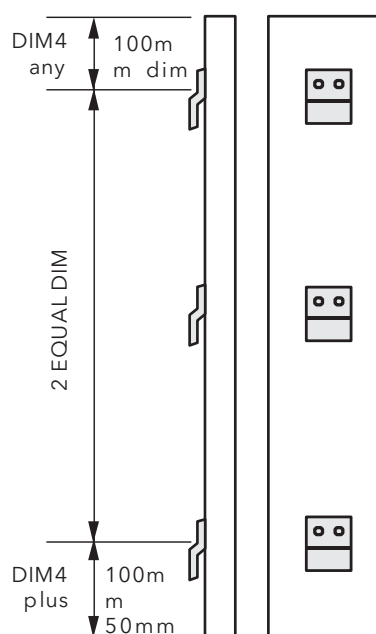
MONARCH
METAL INC.
EUROPE

Z CLIP HANGING SYSTEM



The key advantages of the Monarch Z Clip system are:

- No visible screws or nails on the surface of the mounted panel
- Simplicity of installation
- Strength and security of the mounting



For a typical 2500x1220 mm wide panel, customers mount the continuous lengths along the wall at 3 different heights parallel with the floor. These are secured to framing at 400 mm on center or to blocking at 200 mm on center.

The shorter panel clips are secured to the back of the panel every 300-400 mm horizontally.

To match fastener locations on the panel with those on the wall a single template can be used, or one can use a story pole.

Installation of the panel is accomplished by simply dropping the panel onto the continuous lengths mounted along the wall.

Monarch recommends a #8 or 5,5 mm Pan Head screw for attaching the shorter panel clips to the back side of MDF or particle board panels.

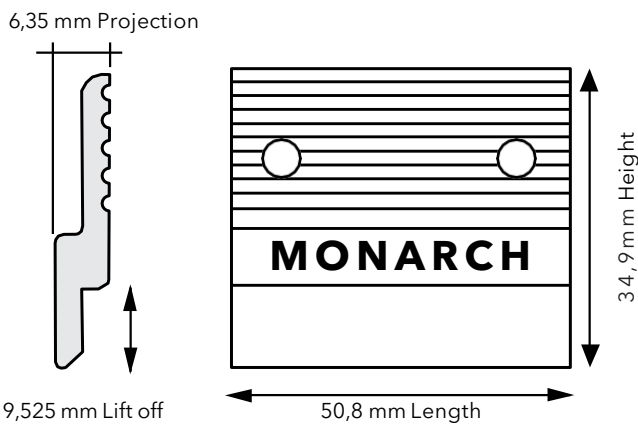
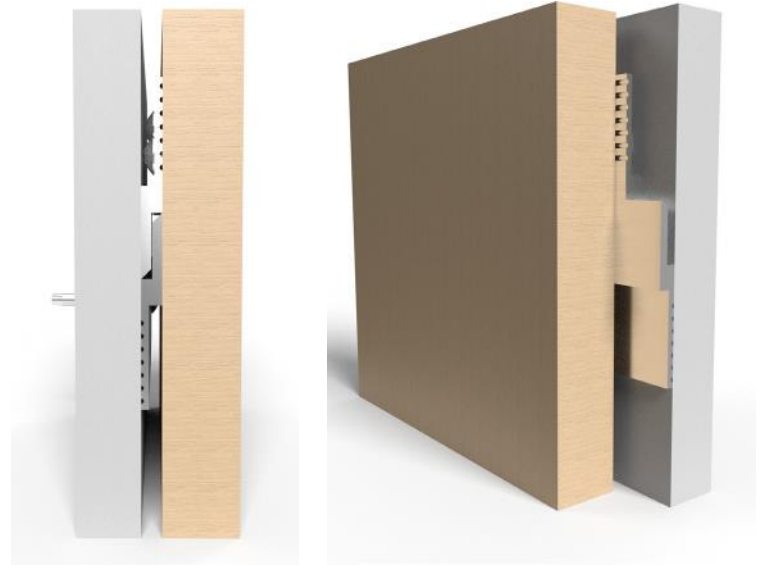
We recommend that, for using the Monarch Z Clip system, the height of the head of the screw must be less than 3,2 mm for our standard Monarch Z Clips

Contact us:

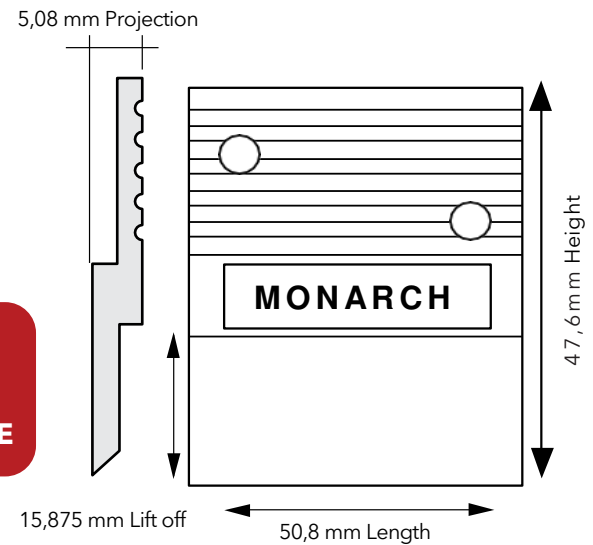


MF375

MF625



**RAILS
LENGTH
CUSTOMIZABLE**



TECHNICAL SPECS	MF375
Material	Aluminium
Z Clip Height	34,9 mm
Z Clip Length	50,8 mm
Z Rails Length*	1250 mm, 2500 mm *Customized lengths available
Lift Off (1)	9,5 mm
Projection (2)	6,4 mm

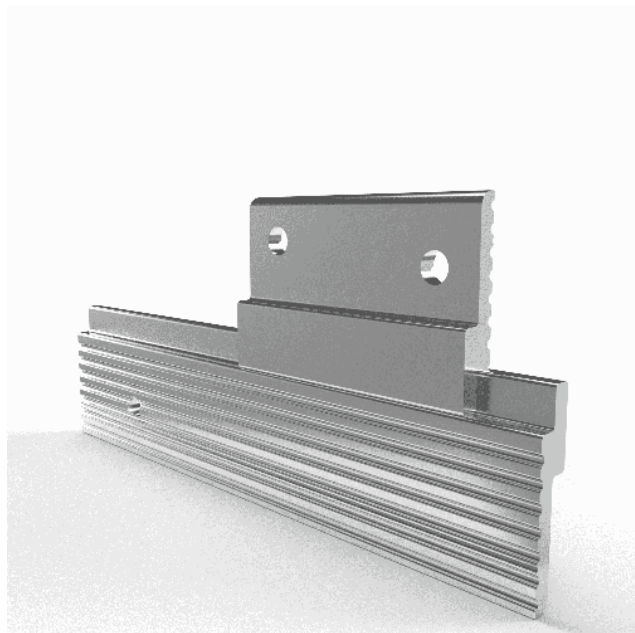
TECHNICAL SPECS	MF625
Material	Aluminium
Z Clip Height	47,6 mm
Z Clip Length	50,8 mm
Z Rails Length*	1250 mm, 2500 mm *Customized lengths available
Lift Off (1)	15,9 mm
Projection (2)	4,8 mm

- (1) The "Lift-Off" is the amount you need to raise the panel over its resting height to mount the panel.
 (2) The "Projection" is the distance that the panel sits out from the wall.

Contact us:



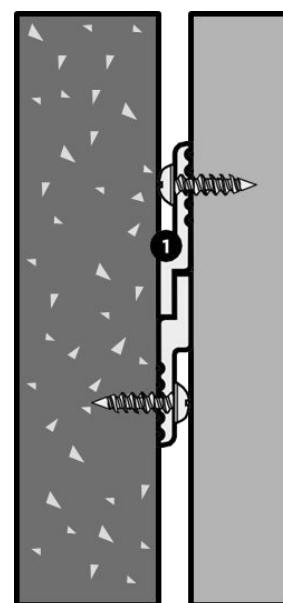
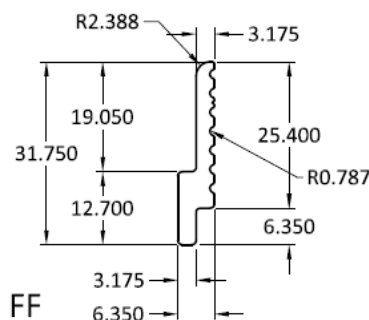
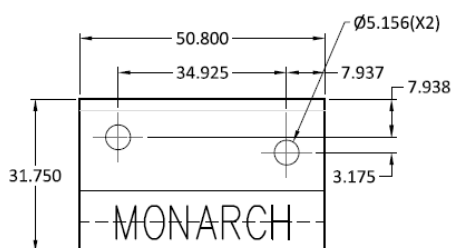
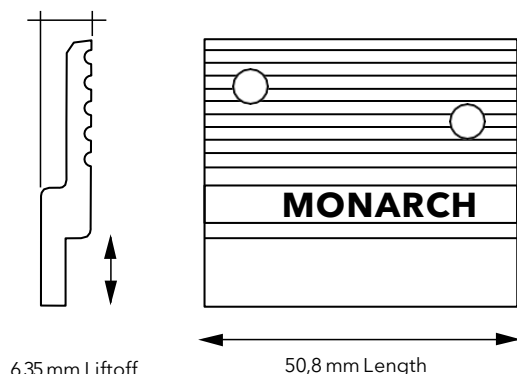
MF250



The key advantages of the Monarch MF250 Z Clip system are:

- Monarch Z Clip system for hanging interior panels where the installer desires a 6,35mm length of engagement.
- 9,525 mm clearance required between the top of the panel and the ceiling.
- Applications With Limited Clearance Above Panel

6,35 mm Projection



1 MF250 Clip

TECHNICAL SPECS	MF250
Material	Aluminium
Z Clip Height	31,75 mm
Z Clip Length	50,8 mm
Z Rails Length*	1250 mm, 2500 mm *Customized lengths available
Lift Off (1)	6,35 mm
Projection (2)	6,35 mm

- (1) The "Lift-Off" is the amount you need to raise the panel over its resting height to mount the panel.
 (2) The "Projection" is the distance that the panel sits out from the wall.

Contact us:



MFTAPE : Adhesive-Backed Z Clips, Peel And Stick Application

The MFTAPE is the perfect Z Clip solution for Installing Glass, ACM or Phenolic Panels for glass, where panel doesn't allow for attachment with a screw.



TECHNICAL SPECS	MFTAPE
Material	Aluminium
Z Clip Height	85,73 mm
Z Clip Length	50,8 mm
Z Rails Length*	1500 mm, 3100 mm *Customized lengths available
Lift Off (1)	9,525 mm
Projection (2)	7,44 mm

FEATURES:

- Suitable for interior and exterior applications (examples in 3M design guide).
 - 12,7 mm clearance required between the top of the panel and the ceiling
 - (2) strips of 3M VHB architectural panel tape pre-applied for peel-and-stick application
 - Pairs with MF375 clip for material savings
 - Redesign of clip to optimize adhesion with tapes
- Clip can also be purchased without 3M tape for use with your preferred vendor of glazing tape

(1) The "Lift-Off" is the amount you need to raise the panel over its resting height to mount the panel.
(2) The "Projection" is the distance that the panel sits out from the wall.

Contact us:



MFTAPE : Adhesive-Backed Z Clips, Peel And Stick Application



The MFTAPE can be used with or without 3M Tape



Rails can also be purchased without the 3M tape for use with your preferred vendor of glazing tape

- (1) The "Lift-Off" is the amount you need to raise the panel over its resting height to mount the panel.
(2) The "Projection" is the distance that the panel sits out from the wall.

Contact us:



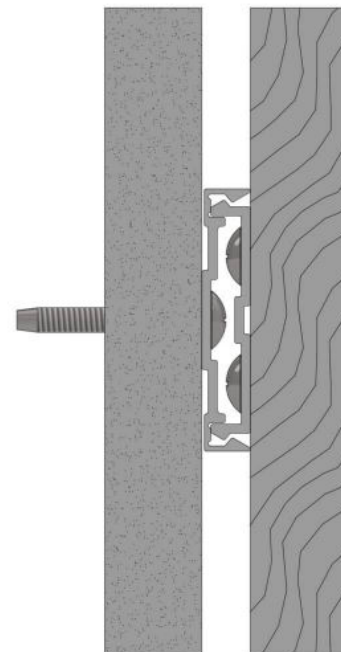
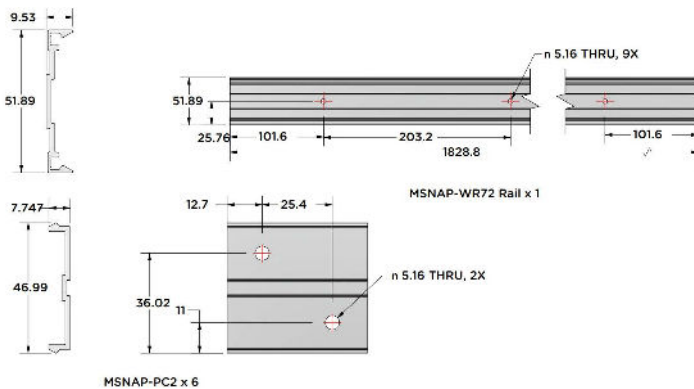
MSNAP : Snap-Fit Panel Hanging Solution



Our new zero-lift rail system for installing a wide variety of interior panels.

- A snap-fit system of clips and rails
- 6063-T6 Aluminum
- Available with Panel Clips or Rails, and Wall Rails
- Removable, and suitable for Interior and Exterior Usage

TECHNICAL SPECS	MSNAP
Material	Aluminum
Clip length	50,8 mm
Lift Off (1)	Zero
Projection (2)	9,5 mm
Rail lengths	2 m, 2,5 m



(1) The "Lift-Off" is the amount you need to raise the panel over its resting height to mount the panel.
 (2) The "Projection" is the distance that the panel sits out from the wall.

Contact us:

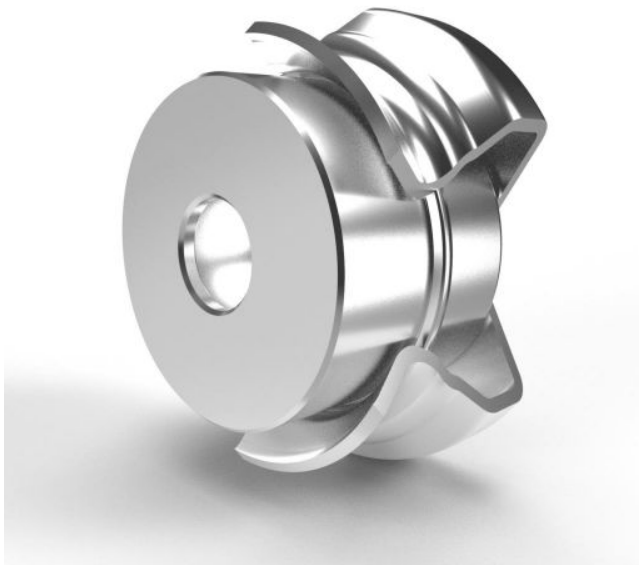


MONARCH
METAL INC.
EUROPE

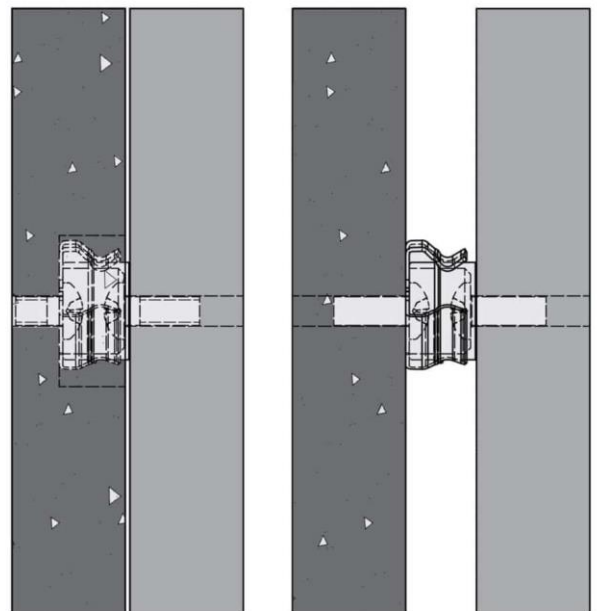
ZERO LIFT CLIP

Snap-in panel clips flush or surface mount, stainless steel:

- 316 Stainless Steel Zero-Lift Panel Clips
- Two-piece System
- Fast Installation, with Flush and Surface Options
- Removable, and suitable for Interior and Exterior Usage
- Allows for a variety of substrates and combinations

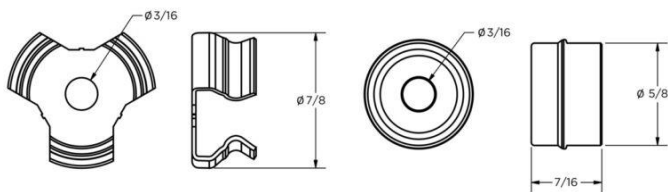


TECHNICAL SPECS	MFASTZL
Material	316 Stainless Steel
Stock Clip Size	12,7 mm Stack Height
Lift Off (1)	Zero
Projection (2) Flush Install	1,59 mm
Projection (2) Surface Install	12,7 mm



FLUSH INSTALL

SURFACE INSTALL



(1) The "Lift-Off" is the amount you need to raise the panel over its resting height to mount the panel.
 (2) The "Projection" is the distance that the panel sits out from the wall.

Contact us:



MFSTR-050

The MFSTR-050 is the perfect high load capacity Z Clip solution for high-strength applications that require the use of a larger bolt where a 12,7 mm projection is desired.

High-strength aluminum system compatible with up to a 9,5 mm hex bolt.

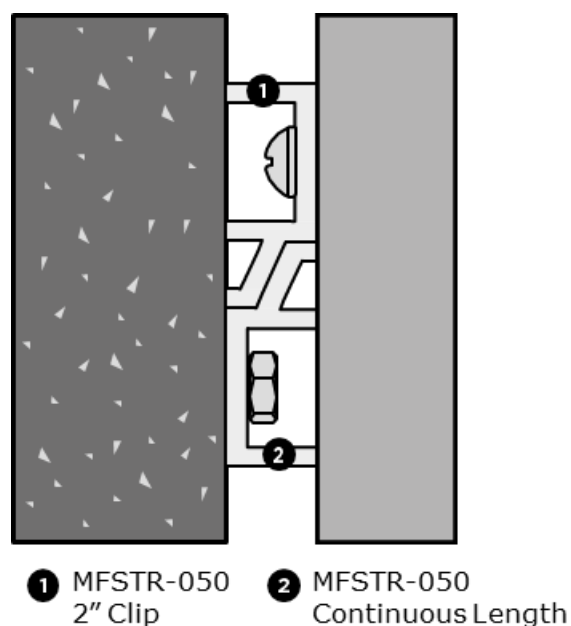
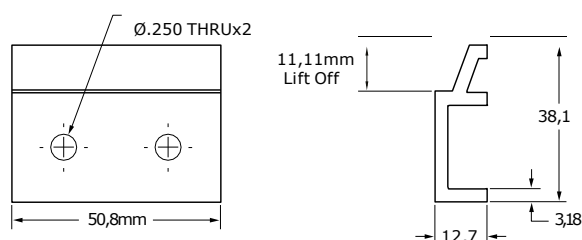
12,7 mm clearance required between the top of the panel and the ceiling.

6063-T6 Aluminum.

Easily used for mounting on concrete block or other difficult materials.



TECHNICAL SPECS	MFSTR-050
Material	Aluminium
Z Clip Height	38,1 mm
Z Clip Length	50,8 mm
Z Rails Length*	1250 mm, 2500 mm *Customized lengths available
Lift Off (1)	11,11 mm
Projection (2)	16,6 mm



- (1) The "Lift-Off" is the amount you need to raise the panel over its resting height to mount the panel.
- (2) The "Projection" is the distance that the panel sits out from the wall.

Contact us:



MFSTR-075

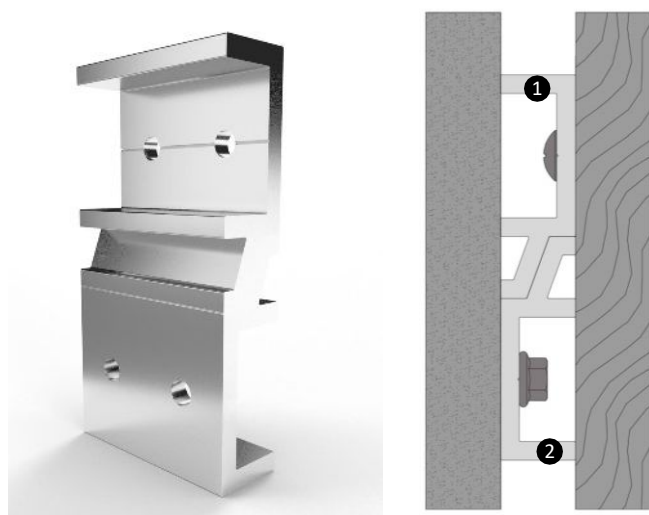
- Stock clips use 6,35 mm holes, custom clips available with up to 9,5 mm holes for larger bolts for heavier-duty applications.
- Mounts quickly on concrete block or other difficult materials
- 6063-T6 Aluminum.
- 15,9 mm clearance required between the top of the panel and the ceiling.

MFSTR-0375

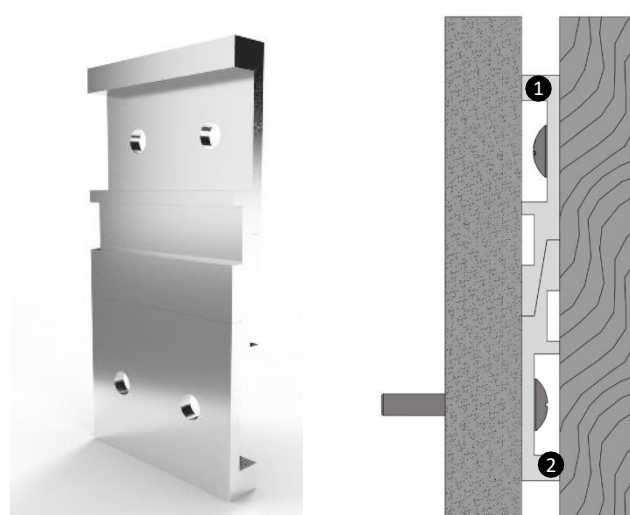
- Stock clips use 6,35 mm holes, custom clips available with up to 9,5 mm holes for larger bolts for heavier-duty applications.
- Mounts quickly on concrete block or other difficult materials
- 6063-T6 Aluminum.
- 9,5 mm clearance is required between the panel's top and the ceiling.

TECHNICAL SPECS	MFSTR-075
Material	Aluminium
Z Clip Height	57,2 mm
Z Clip Length	50,8 mm
Z Rails Length*	1500 mm, 3100 mm *Customized lengths available
Lift Off (1)	15,9 mm
Projection (2)	19,05 mm

TECHNICAL SPECS	MFSTR-0375
Material	Aluminium
Z Clip Height	60,3 mm
Z Clip Length	50,8 mm
Z Rails Length*	1500 mm, 3100 mm *Customized lengths available
Lift Off (1)	19,05 mm
Projection (2)	9,5 mm



① MFSTR-075 2" Clip ② MFSTR-075 Continuous Length



① MFSTR-0375 2" Clip ② MFSTR-0375 Continuous Length

(1) The "Lift-Off" is the amount you need to raise the panel over its resting height to mount the panel.
 (2) The "Projection" is the distance that the panel sits out from the wall.

Contact us:

