

Monarch MFASTZL Product Usage Recommendations

The MFASTZL is a zero-lift clip, designed to be used for applications where traditional Z-Clips can't be used. These clips allow for installation and removal with zero lift-off, which can be beneficial for areas that don't have clearance.

These zero-lift clips snap together, and have a removal force of 7-10kgF minimum, which is dependent on the panel weights. The recommended spacing for clips is a minimum of 304.8 mm and a maximum of 609.6 mm. This has more to do with the engagement strength between clips, and less to do with the weight of the panels.

Each application of the MFASTZL should be designed and tested prior to installation. The design must include appropriate fasteners for each substrate, and loads should be referenced from the fastener manufacturer.

Fastener Considerations:


- Hole Size: .200"/5.08mm.
- Maximum Screw Head Diameter (Female): .12.7mm
- Maximum Screw Head Diameter (Male): 11.1mm
- Maximum Screw Head Height (Total): 10.5mm
- Countersunk Screws are Not Compatible.

Please Refer to Page 2 for Critical Dimensions.

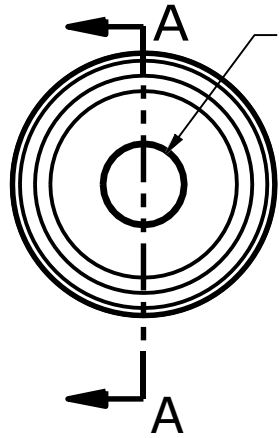
Substrate Considerations:

Both substrates should be capable of holding appropriate fasteners, and their required minimum engagement. Supporting walls should be plumb, flat, and shims should be kept to a minimum. Clips need to rest squarely on the wall, and on the panel.

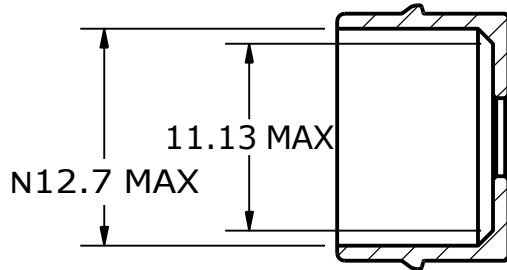
Note: These are product recommendations, and are not to be solely used for engineering calculations or for prescriptive use.

 <p>MONARCH METAL INC.</p> <p>New York 1700 Ocean Ave Suite 2 Ronkonkoma NY 11779 Phone: (631) 750-3000 Fax: (631) 563-8976</p> <p>Nevada 1080 Linda Way, Unit 10 Sparks, NV 89431 Phone: (775) 415-0100</p>		DWG NO	SCALE	REV
		MFASTZL - Product Usage		
DESCRIPTION		SHEET SIZE		A
Zero Lift Clip		SHEET		1 OF 2

Created By	12/21/2021
Aaron Hawkins	
Engineering Approved	12/21/2021
Manufacturing Approved	12/21/2021

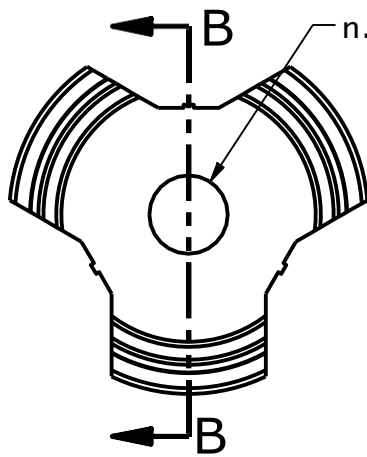


n5.08 MAX

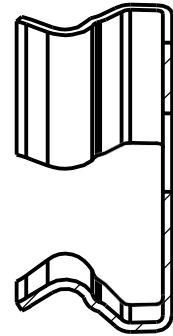


SECTION A-A

SCALE 2 : 1

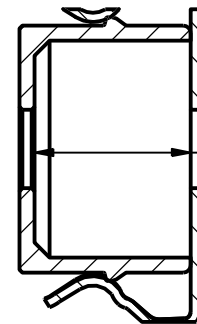
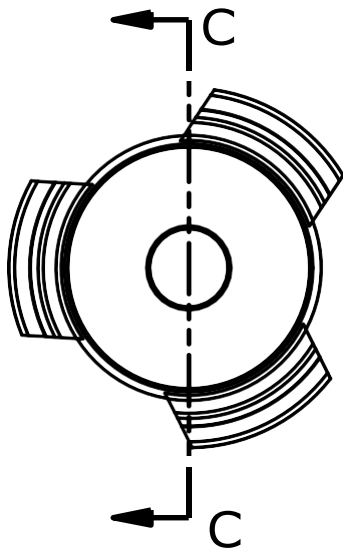


n.5.08MAX



SECTION B-B

SCALE 2 : 1



10.16 MAX

SECTION C-C

SCALE 2 : 1



MONARCH
METAL INC.

New York
1700 Ocean Ave Suite 2
Ronkonkoma NY 11779
Phone: (631) 750-3000
Fax: (631) 563-8976

Nevada
1080 Linda Way, Unit 10
Sparks, NV 89431
Phone: (775) 415-0100

Created By	Aaron Hawkins	12/21/2021
Engineering Approved		12/21/2021
Manufacturing Approved		12/21/2021

DWG NO	MFASZL - Product Usage	SCALE	REV
DESCRIPTION	Zero Lift Clip	2 : 1	
		SHEET SIZE	A
		SHEET	2 OF 2