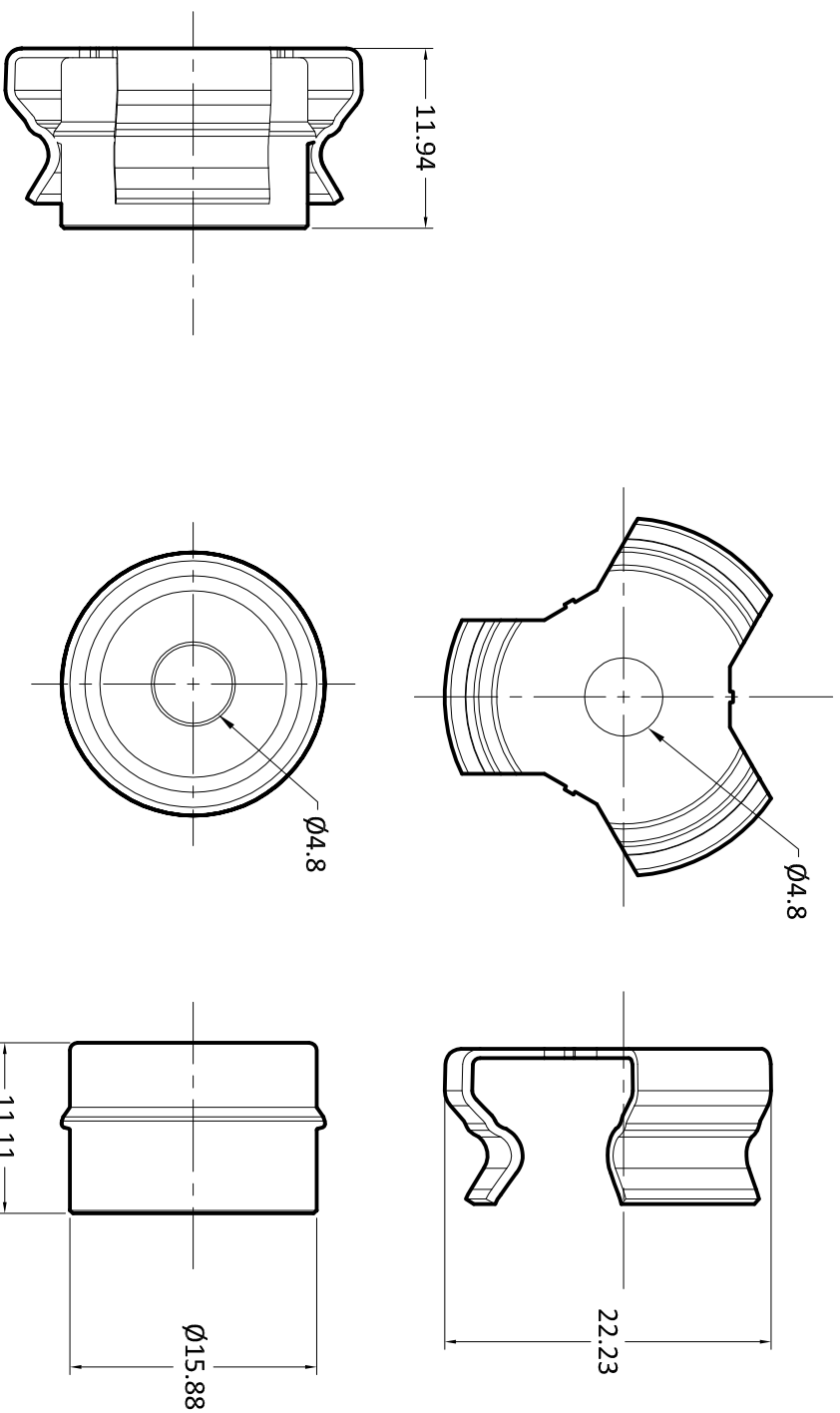


Zero Lift Clip
 316 Stainless Steel Zero-Lift Panel Clips
 Two-Piece system
 12.7mm Stock height



SCALE 2:1

ALL DIMENSIONS ARE IN METRIC MM

PROPRIETARY AND CONFIDENTIAL

THE INFORMATION CONTAINED IN THIS DRAWING IS THE SOLE PROPERTY OF MONARCH METAL FABRICATION. ANY REPRODUCTION IN PART OR AS A WHOLE WITHOUT THE WRITTEN PERMISSION OF MONARCH METAL FABRICATION IS PROHIBITED.

MATERIAL
 316 Stainless Steel

FINISH

DO NOT SCALE DRAWING

DRAWN		NAME	DATE	TITLE: ZERO LIFT CLIP
CHECKED	BB	GURU	15/12/23	
CHECKED		BB	15/12/23	SIZE: A4
CHECKED		BB	15/12/23	DWG. NO.: MFASTZL



SCALE: 2:1	WEIGHT: ≈ Kg	SHEET 1 OF 1
------------	--------------	--------------

5

4

3

2

1