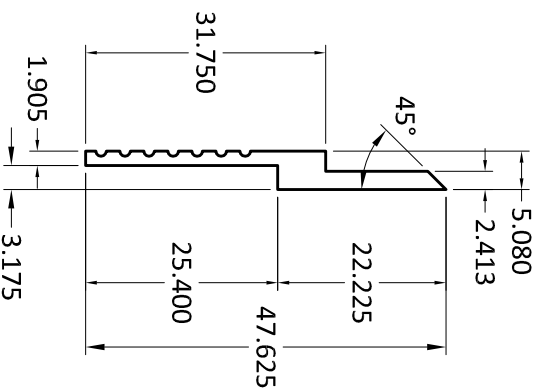
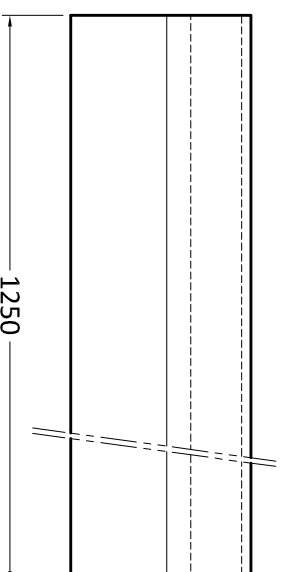


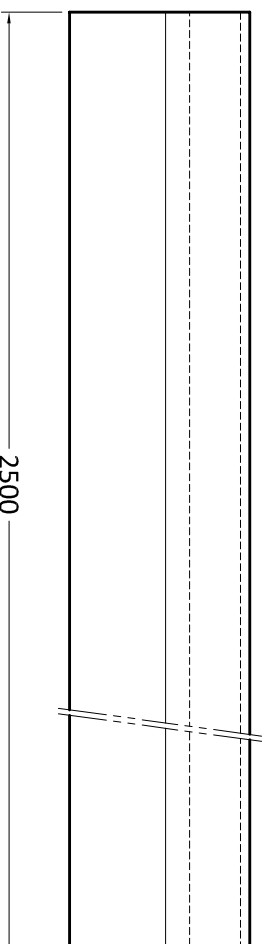
MF625 CLIP
WEIGHT: \approx 0.015 Kg
SCALE 1:1



SCALE 1:1

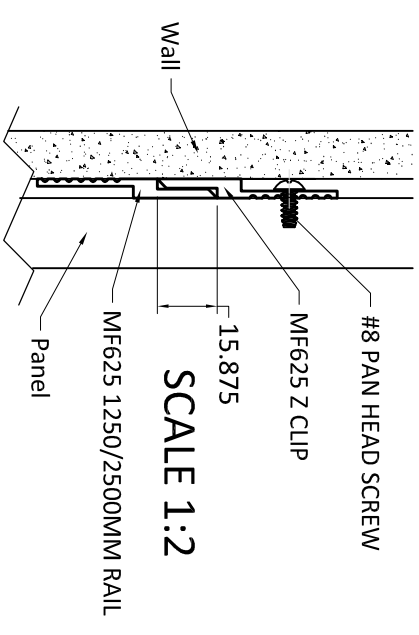


SCALE 1:2 WEIGHT: \approx 0.090 Kg/300MM



SCALE 1:2

WEIGHT: \approx 0.090 Kg/300MM



SCALE 1:2

ALL DIMENSIONS ARE IN METRIC MM

PROPRIETARY AND CONFIDENTIAL
 THE INFORMATION CONTAINED IN THIS DRAWING IS THE SOLE PROPERTY OF MONARCH METAL FABRICATION. ANY REPRODUCTION IN PART OR AS A WHOLE WITHOUT THE WRITTEN PERMISSION OF MONARCH METAL FABRICATION IS PROHIBITED.

DRAWN	NAME	DATE
CHECKED	GURU	14/12/23
	BB	14/12/23

MONARCH
 METAL FABRICATION

TITLE:	SIZE
MF625 RAIL AND BRACKET	A4
- EVEN 1250/2500MM	MF625 RAIL AND BRACKET
	DWG. NO. -

SCALE: 1:1, 1:2 WEIGHT: \approx Kg SHEET 1 OF 1