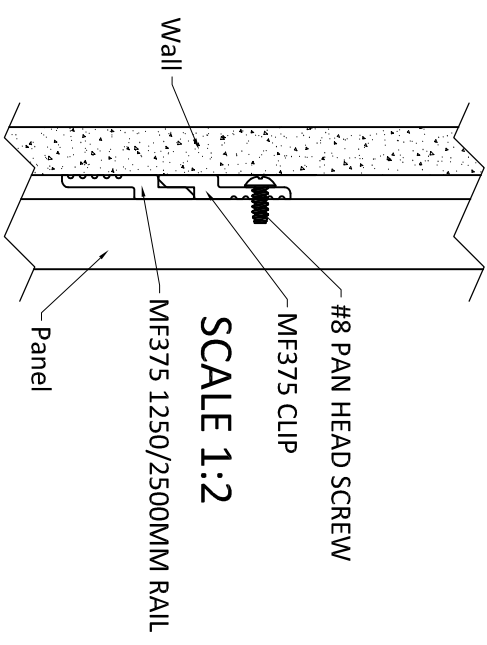
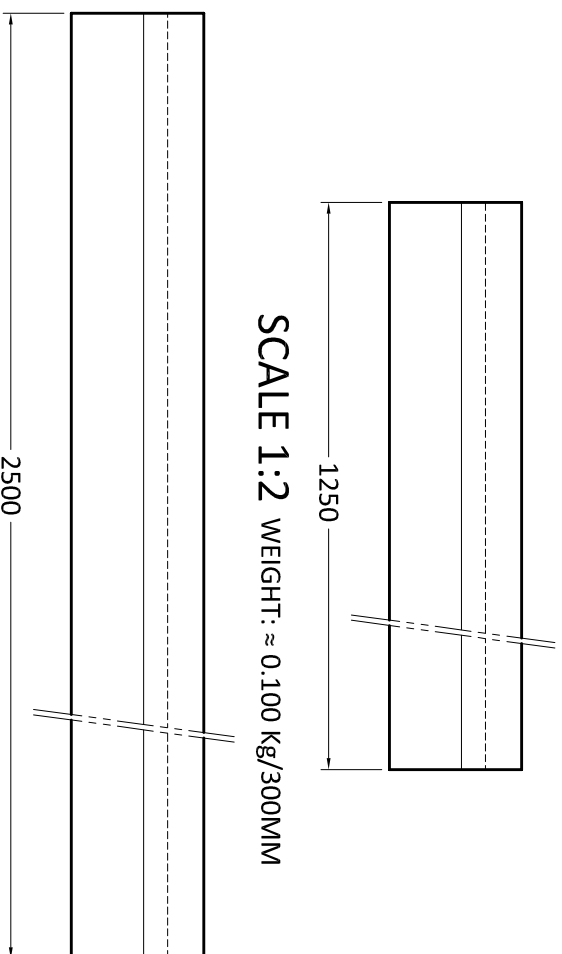
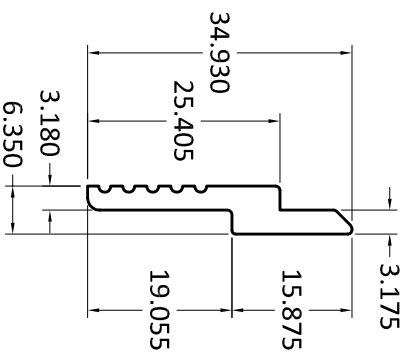


MF375 CLIP
WEIGHT: \approx 0.016 Kg
SCALE 1:1



SCALE 1:2



SCALE 1:2 **WEIGHT: \approx 0.100 Kg/300MM**

SCALE 1:1

SCALE 1:2

WEIGHT: \approx 0.100 Kg/300MM

ALL DIMENSIONS ARE IN METRIC MM

PROPRIETARY AND CONFIDENTIAL
 THE INFORMATION CONTAINED IN THIS DRAWING IS THE SOLE PROPERTY OF MONARCH METAL FABRICATION. ANY REPRODUCTION IN PART OR AS A WHOLE WITHOUT THE WRITTEN PERMISSION OF MONARCH METAL FABRICATION IS PROHIBITED.

MATERIAL
 Aluminum

FINISH

DO NOT SCALE DRAWING

DRAWN	NAME	DATE
GURU	GURU	13/12/23
CHECKED	BB	13/12/23



TITLE: **MF375 RAIL & BRACKET-EVEN 1250/2500MM**

SIZE: **A4**

DWG. NO.: **MF375 RAIL AND BRACKET**

SCALE: 1:1, 1:2

WEIGHT: \approx Kg

SHEET 1 OF 1

5

4

3

2

1