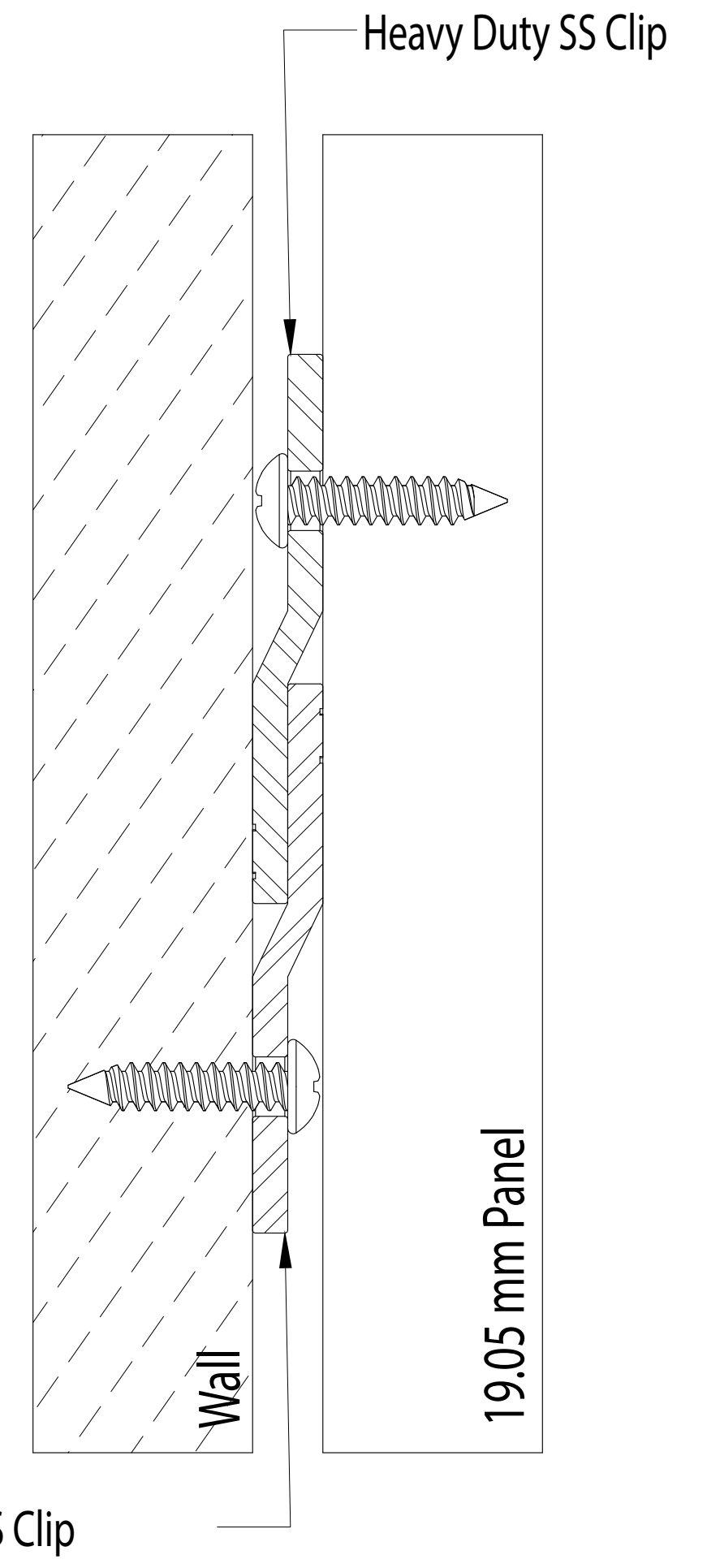


Heavy Duty SS
Clip Mounted
Scale 1:1



PROPRIETARY AND CONFIDENTIAL

THE INFORMATION CONTAINED IN THIS DRAWING IS THE SOLE PROPERTY OF MONARCH METAL FABRICATION. ANY REPRODUCTION IN PART OR AS A WHOLE WITHOUT THE WRITTEN PERMISSION OF MONARCH METAL FABRICATION IS PROHIBITED.

MATERIAL

FINISH

DO NOT SCALE DRAWING

	NAME	DATE
DRAWN	EAH	09/09/13
CHECKED	CS	
COMMENTS:		

TITLE: Heavy Duty SS Clip		
SIZE A	DWG. NO. Heavy Duty SS Clip	REV A
SCALE: 3:2	WEIGHT:	SHEET 1 OF 1

5

4

3

2

1